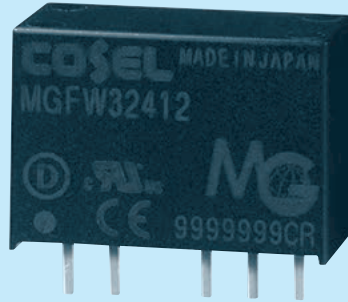


MGFW3

MGF W 3 24 12 - □

① ② ③ ④ ⑤ ⑥



- ① Series name
- ② Dual output
- ③ Output wattage
- ④ Input voltage
- ⑤ Output voltage
- ⑥ Optional

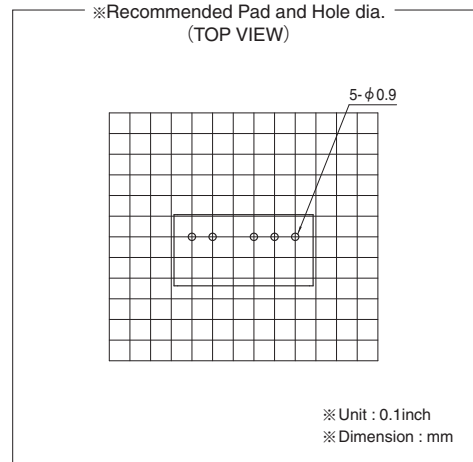
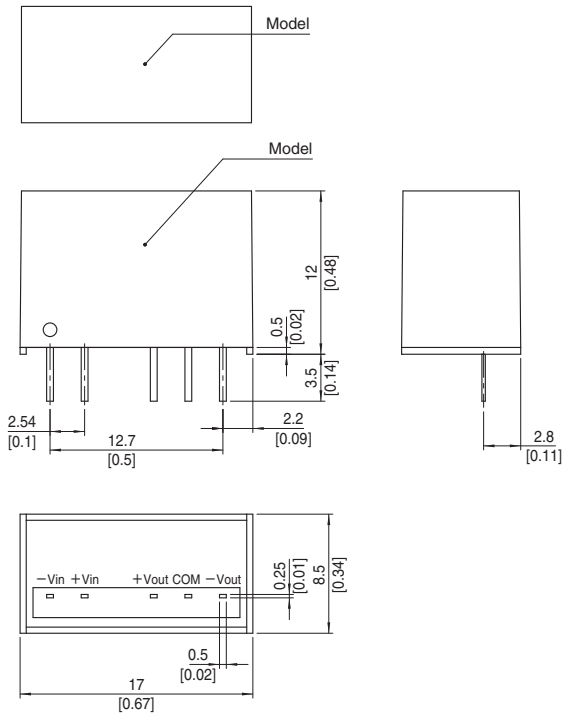
MODEL	MGFW32412	MGFW32415	MGFW34812	MGFW34815
MAX OUTPUT WATTAGE[W]	3.12	3.00	3.12	3.00
DC OUTPUT	VOLTAGE[V] *1	±12 or +24	±15 or +30	±15 or +30
	CURRENT[A]	0.13	0.1	0.13

SPECIFICATIONS

	MODEL	MGFW32412	MGFW32415	MGFW34812	MGFW34815	
INPUT	VOLTAGE[V]	DC9 - 36 (Surge voltage 50V,100ms max) (Refer to the instruction manual for input voltage derating.)		DC18 - 76 (Surge voltage 100V,100ms max) (Refer to the instruction manual for input voltage derating.)		
	CURRENT[A] *2	0.16typ	0.16typ	0.081typ	0.078typ	
	EFFICIENCY[%] *2	82typ	82typ	81typ	81typ	
OUTPUT	VOLTAGE[V]	±12 (+24)	±15 (+30)	±12 (+24)	±15 (+30)	
	CURRENT[A]	0.13	0.1	0.13	0.1	
	LINE REGULATION[mV]	60max	75max	60max	75max	
	LOAD REGULATION[mV]	*3	480max	600max	480max	600max
		*4	600max	750max	600max	750max
	RIPPLE[mVp-p] *5	150max	150max	150max	150max	
	RIPPLE NOISE[mVp-p] *5	200max	200max	200max	200max	
	TEMPERATURE REGULATION[mV]	-20 to +70°C	180max	220max	180max	220max
		-40 to +70°C	290max	340max	290max	340max
	DRIFT[mV] *6	48max	60max	48max	60max	
START-UP TIME[ms]	30max (Minimum input, I _o =100%)					
OUTPUT VOLTAGE SETTING[V]	11.64 - 12.36	14.55 - 15.45	11.64 - 12.36	14.55 - 15.45		
PROTECTION CIRCUIT	OVERCURRENT PROTECTION	Works over 105% of rating and recovers automatically				
ISOLATION	INPUT-OUTPUT	DC1,500V or AC1,000V 1minute, Cutoff current=10mA, DC500V 1,000MΩ min (20±15°C)				
ENVIRONMENT	OPERATING TEMP., HUMID. AND ALTITUDE	-40 to +85°C, 20 to 95%RH (Non condensing) (Required derating), 5,000m (16,400feet) max				
	STORAGE TEMP., HUMID. AND ALTITUDE	-40 to +100°C, 20 to 95%RH (Non condensing), 9,000m (30,000feet) max				
	VIBRATION	10 - 55Hz 98.0m/s ² (10G), 3minute period, 60minutes each along X, Y and Z axis				
	IMPACT	490.3m/s ² (50G) 11ms, once each along X, Y and Z axis				
SAFETY	AGENCY APPROVALS	UL60950-1, C-UL, EN60950-1				
OTHERS	CASE SIZE/WEIGHT	17.0 × 12.0 × 8.5mm [0.67 × 0.48 × 0.34 inches] (W × H × D) / 4g max				
	COOLING METHOD	Convection/Forced air				

- *1 Single output +24V, +30V with no use of COM.
- *2 Rated input 24V or 48V DC I_o=100%
- *3 Symmetrical loading from 20% to 100%.
- *4 Symmetrical loading from 0% to 100%.
- *5 Ripple and Ripple Noise is measured by using test board with ceramic capacitor 1μF at 50mm from output pins.
- *6 Drift is the DC output accuracy for eight hours period after a half-hour warm-up at 25°C.
- * Parallel operation with other model is not possible.

External view



- ※ Tolerance ± 0.5 [± 0.02]
- ※ Dimensions in mm, []= inches
- ※ Pin terminal material : Copper
- ※ Planting treatment of terminal : Lead free plating
- ※ Case material : PBT
- ※ Weight 4g max